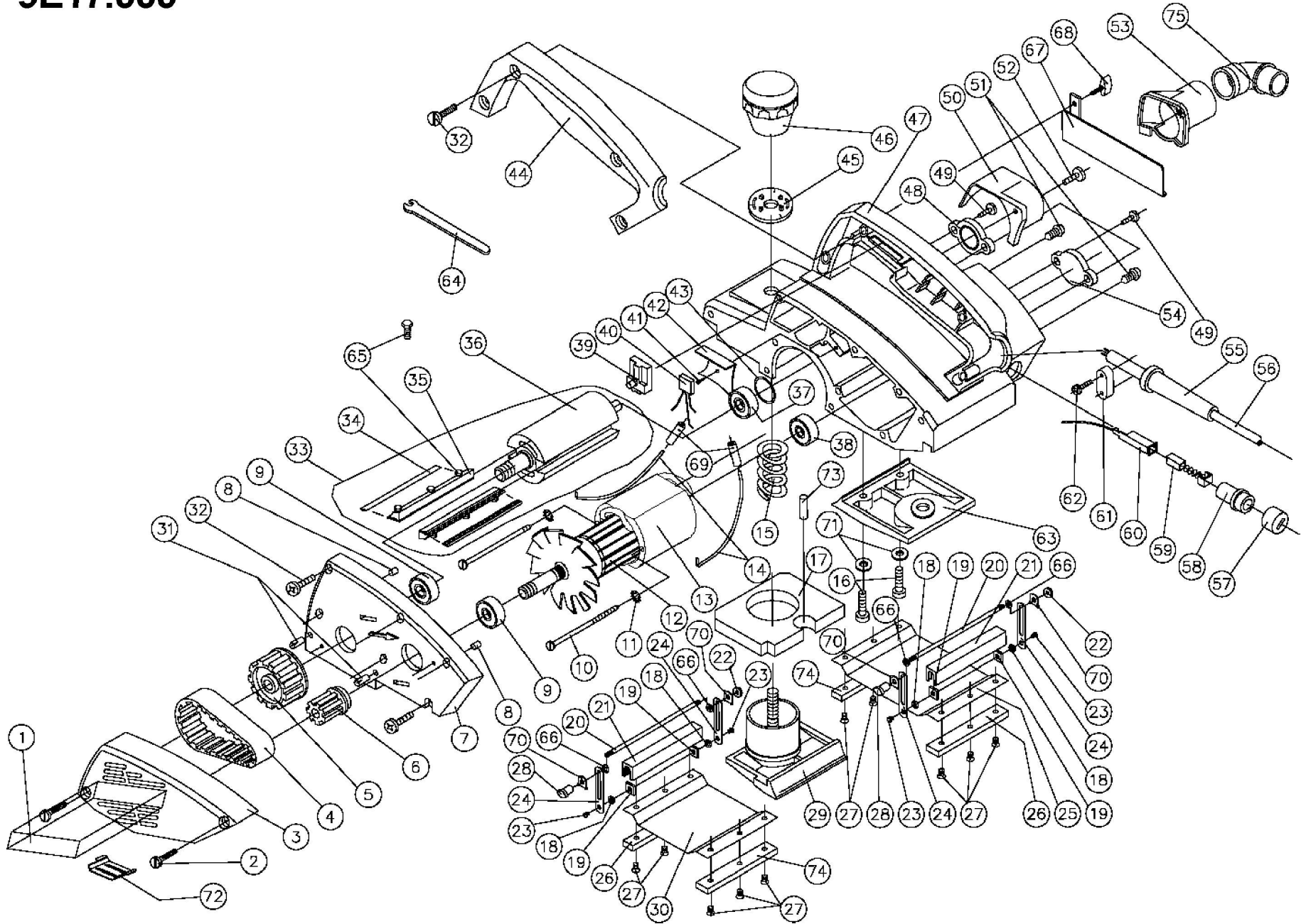


9E17.000



RUPES

PALETTA PER SUPERFICI CURVE
PLANER FOR CURVED SURFACES

CP803V